



**Professional
Log Moving
Tools**



Proudly Distributed by

LogRite Log Arches

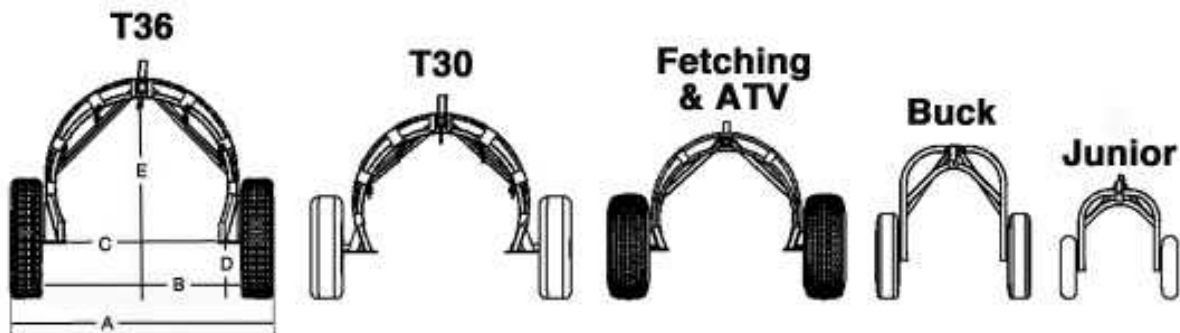
Move Any Log Anywhere with Minimal Power, Disturbance and Effort

Our log arches are the most effective, ergonomic and useful tools for low-impact forestry, arborist and portable sawmill applications. Log arches allow for low-impact operations in sensitive areas, minimal ground disturbance and clean logs for processors and sawmills. These log arches are proprietary products in production since 1996.

Our arches pick up the logs at their midpoints so that the logs are fully suspended. Besides the benefit of clean logs and minimal ground disturbance, being fully suspended means it will require less energy to move that log. Another advantage of a fully suspended log is it allows you to back into or out of areas!

We can move any log of any size, anywhere, on any slope!

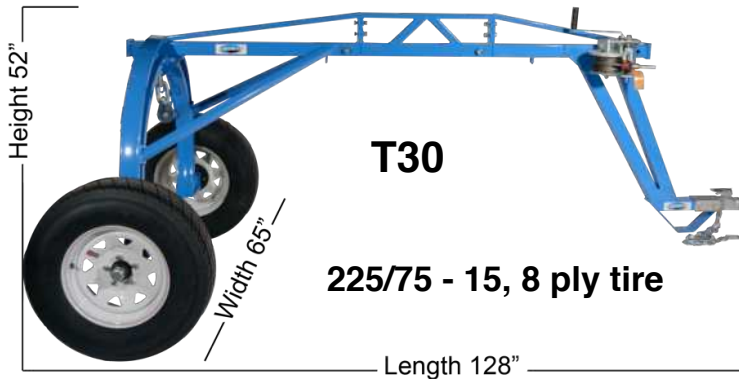
We offer 2 different styles of arches in 6 sizes. They range from small arches designed to be used by hand to large forwarding arches designed to move 6000 pound logs. We offer a variety of accessories to accomplish all kinds of tasks.



Arch	A	B	C	D	E
T36	67	51	38.75	14.25	51
T30	66.5	50.25	32.75	11.5	42
ATV & Fetching	60.5	39.5	29.5	12.375	37.25
Buck	39.25	26	24	9.75	33
Junior	29.875	21.875	17.75	7	23.75

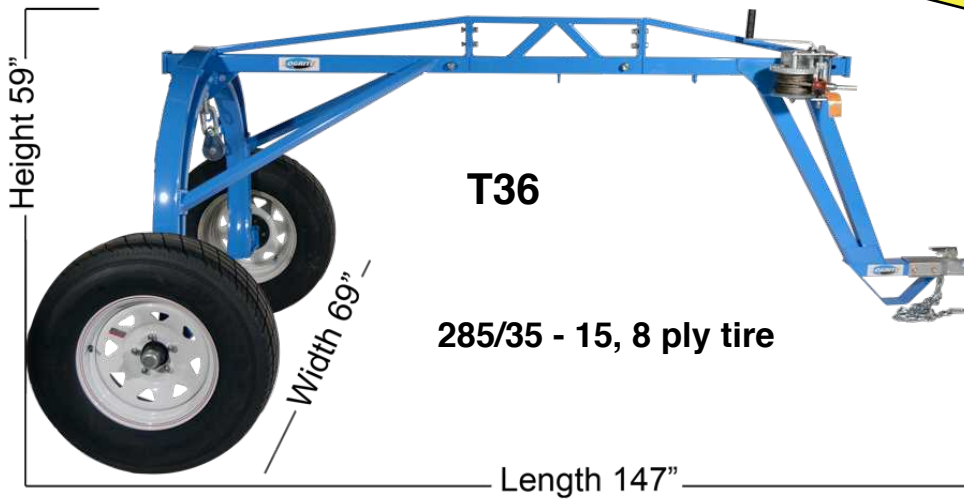
Tractor Arches - T30 and T36 Our biggest forwarding arches.

The Tractor Arches are super strong and make moving large logs possible. Their truss frame construction allows them to fully suspend 16' or 18' logs weighing 4000 or 6000 pounds. Requires only a 30 - 40 hp 4-wheel drive tractor. Fully suspending the log makes it easy to steer and back logs right into place. All the tractor arches come with 3500 lb., 2-speed hand winches with a 3/8" choker line with doubling option. Built into the front and back of the arches are receiver mounts for special rigging or the addition of a power winch.



Capacity	T30	T36
Log Diameter	30 in	36 in
Log Length	16 ft	18 ft
Log Weight	4000 lb	6000 lb

Options: Electric Brakes



I purchased a T36 about 5 years ago. I am grateful for this tool! It has opened financial doors for me and has been a key part in helping my family farm become financially viable. The T36 plus the buck arch I bought 2 years ago are a deadly combination. They make it possible for me to haul 40' logs with my 27 hp tractor. I love them both! -Joe in WA



ATV Arch Our Midsize Forwarding Arch

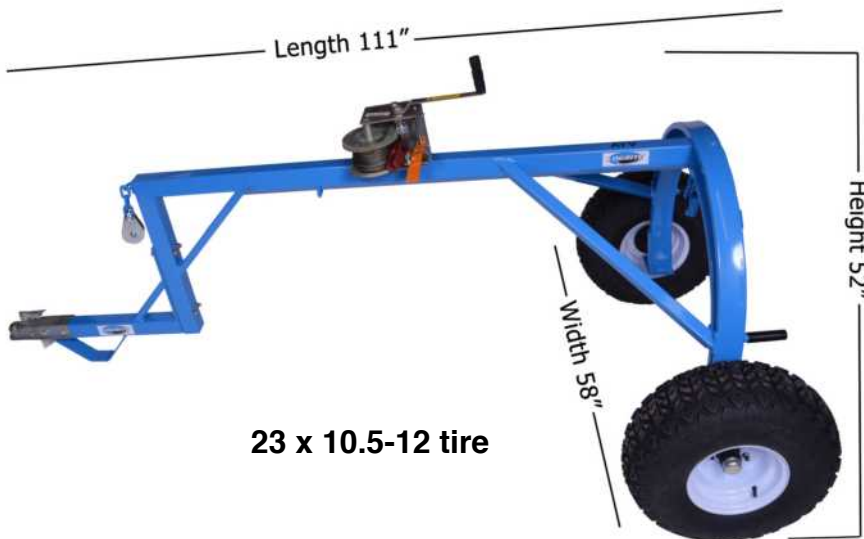
The ATV Arch is simply the lightest, fastest and most maneuverable product for moving logs. Once the log is suspended you can easily move it forward and backwards! Designed specifically to be used with 4-wheel drive ATVs (300 cc minimum) to carry logs with little resistance, minimizing the impact on the land and the ATV. The ATV arch can be used with any vehicle that can be equipped with a 2" ball hitch. It is equipped with a 3200 lb., 2-speed hand winch with 3/8" choker line and 4 ply ATV tires. Logs up to 10 feet long can be fully suspended, while longer logs can drag a tail or be carried fully by using a smaller arch as a tag axle.

Move a single log.



Capacity	
Log Diameter	25 in
Log Length	10 ft
Log Weight	2000 lb

Bunch smaller logs.

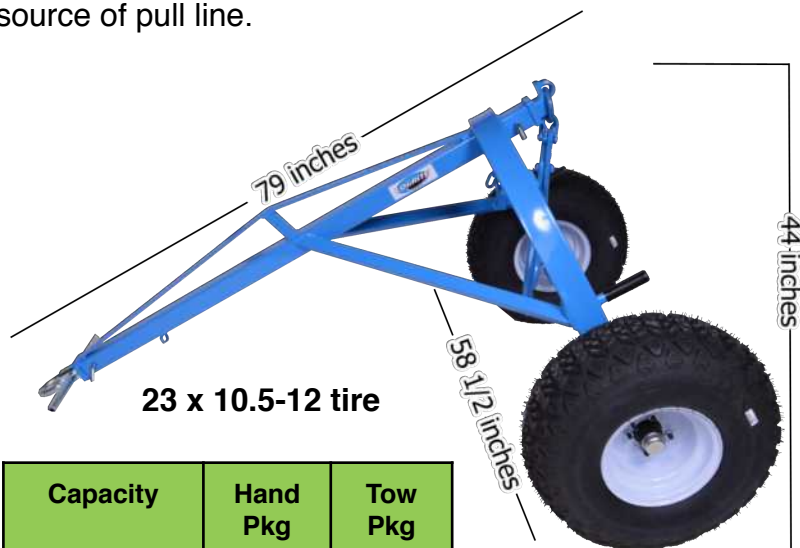


ATV arch with a Junior arch as tag axle.

There are times when you make a purchase and you look back and feel the price was too high for what you got, or the item didn't function as well as advertised etc. Then there are times when you know you made a great purchase and the item exceeds your expectations. Well, that's the way it is with my ATV arch. I've put the arch to the test, both behind a tractor and a four-wheeler. It performs great! Thanks for the great product and keep up the good work. - Walt

Fetching Arch Our Most Versatile Arch

Originally designed to fetch logs on steep slopes or sensitive areas that are off limits to wheeled vehicles such as ATVs or tractors. Built to be used with any source of pull line.



Equipped with our two position Adjustable Tong Hanger to make it easier to toggle over and pick up both small and large diameter logs.



Capacity	Hand Pkg	Tow Pkg
Log Diameter	25 in	25 in
Log Length	16 ft	10 ft
Log Weight	2000 lb	2000 lb

To make this arch more versatile, we offer accessories to allow you to use this arch by hand or tow it.

Move logs by hand.

Remove the ring and add the **Two Man Handle** to move logs by hand.



NOTE: The Buck Chain Adapter is compatible with the Fetching Arch in hand mode.

Use as a forwarding arch.

Replace the ring with the **Tow Tongue and Winch** and use the Fetching Arch behind your ATV. In this configuration, you will remove the tongs and use the winch line on the tow tongue to lift the logs into the arch. This will allow you to lift one big log or a bundle of smaller logs.



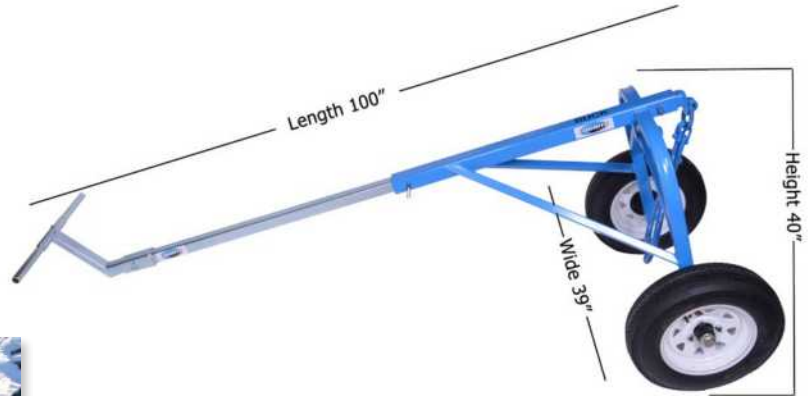
Worth the investment. Very well designed and excellent craftsmanship! I have the full package (2 man handle and towing & winch extension) and it is awesome. Love to see a great American-made product that is the absolute best in the market. - Daniel

Buck Arch

The LogRite Buck Arch is the second arch in our line up. It offers more log capacity and features than the Junior. The Buck is sold in two different configurations to meet your needs. However, should you later decide to expand the way you use the Buck, we offer the other parts to convert your arch to be used in both configurations. This arch with its narrow frame and tires is best suited for work on level ground or around sawmills.

Buck Arch Hand Use Package

When used by hand the Buck Arch works like Junior but the 25" tongs allow you to pick up logs with a bigger diameter.



Equipped with an Adjustable Tong Hanger. Two positions make it easier to toggle over and pick up both small and large diameter logs.

The Buck Arch Hand Use Package has several accessories so that the Buck can be used for a variety of applications.



Gooseneck Extension

The gooseneck extends where the tongs hang to allow you to use the tongs to lift chunks or rounds up and onto your splitter.



Chain Adapter

Replaces the tongs when used by hand. Used to move multiple stems or move things into which you can't or don't want to set tongs in. Works with 1/4" or 5/16" chain. Chain sold separately.



Trailer Dolly Attachment

Pins into the arch to convert the arch into a trailer dolly. Equipped with a 2" ball. It has 3 height adjustments so you can reach any coupler. Also equipped with 4 links of chain, just enough to use with the Junior Sling to move beams, cants or pipes.



More about the Buck Arch

Capacity	Hand Pkg	Tow Pkg
Log Diameter	22 in	22 in
Log Length	16 ft	10 ft
Log Weight	1800 lb	1800 lb

I was amazed how easily my wife and I moved around 11 ft, 16 inch diameter logs. You and your crew build a very high quality product. I was impressed with the fit of the handles and pins. Everything fits with almost no slop yet it slides together easily. -Craig S

Tire Options

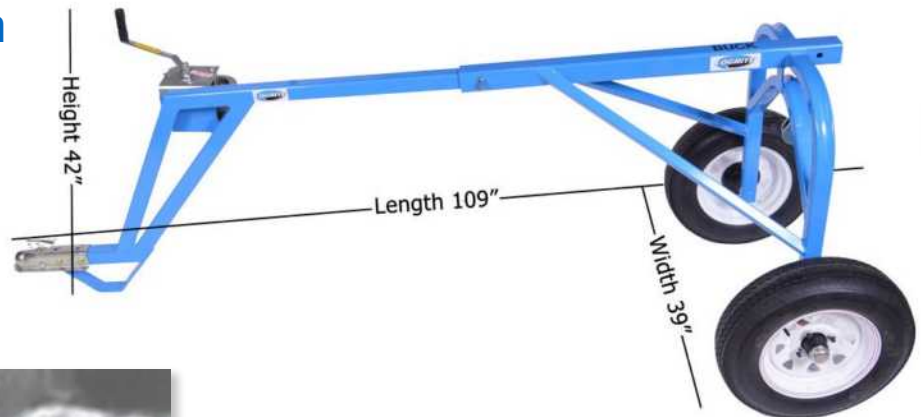
wide tire
23 x 1050-12,
4 ply



standard tire
5.30-12,
4 ply



The Buck Arch can also be used as a forwarding arch behind an ATV.



Buck Arch Tow Package

In this configuration the Buck Arch can be used behind an ATV. It is equipped with a 2500 pound, 2-speed hand winch with 25 feet of 1/4" cable and snatch block to pick up and carry the log.

Junior Arch

Junior is the handiest arch to have by your side!

The LogRite Junior Arch is an indispensable tool for moving logs by hand. The Junior is light enough to be carried by hand but strong enough to last a lifetime. The Junior is able to pick up a 16' long log, weighing up to 1000 pounds and carry it fully suspended, which means you can go forward and backward!

Capacity	
Log Diameter	16 in
Log Length	16 ft
Log Weight	1000 lb



Optional 36" Extension Handle is used for longer logs or for better ergonomics when walking long distances.

Tire Options



wide tire
16/6.5 - 8

standard tire
4.8/4 - 8

In a nutshell, a very well designed and put-together piece of equipment, worth every cent I paid to have it shipped halfway around the world. It does everything I expected, and I haven't even got the full hang of it yet. Many thanks for great service and the great product. -Steve in Australia

Junior can be used to haul logs, buck firewood, and safely remove hung up trees.



Junior can do so much more than just move logs!

With these accessories the Junior Arch can move trailers, pull fence posts, uproot small trees and shrubs, move beams, pipes and more.

Accessories for the Junior are easy to use. Just hook the Junior's tongs back onto the frame and attach the accessory with one pin to use the Junior to move all kinds of things!



Trailer Dolly Attachment

Converts the Junior into a trailer dolly! Move anything with a 2" ball coupler. Great for positioning sawmills, trailers, splitters and so much more. Comes with a 2" ball but could be replaced with any 3/4" shank ball. It has 3 height adjustments to allow Junior to reach any ball coupler.



Chain Adapter

Quickly pins into place and allows you to use a choker chain to cinch and lift beams, pipes, small branches or any other thing you can't or don't want to use the Junior's tongs on. Can also be used to pull out fence posts, small stumps, storm sewer grates and other things you can lift with a chain. Works with any 1/4" or 5/16" chain. *Chain sold separately.*



Junior Sling

Hang the sling in the Junior's ring to move beams, pipes, steel tube and all kinds of long heavy objects. The Junior Sling is 2" x 45" with 7 adjustment points that allow you to pick up square or round objects from 4" to 12" wide.

LogRite uses a Junior and Sling to move bundles of 24' steel tubing around the shop.



BTS Hauler The best ergonomic hand truck on the market.

Not only is the BTS Hauler equipped with an ergonomic handle system that makes it easy and comfortable to lift logs, barrels, or anything large and bulky, but it also converts to a brush cart!



2-in-1 unit
Easy to convert from one mode to the other. Disassembles for easy and compact storage.

Capacity
1500 lb
46 cubic feet



Use the goose neck handle to provide an extra 24" of leverage to move extra large loads.



Options



Add the **Tow Tongue** to pull the BTS cart with your ATV or stump grinder.



Wide Tires
Change the 4.8/4 - 8 standard tire to a 16/6.5 - 8 tire. This will offer more flotation while still being able to fit through that 36" gate. (width of unit with wide tires: 34")

All Terrain Dump Trailer



Never have to worry about batteries, hydraulics or wiring again!

The Dump Trailer features a scissor lift which is easy to use and maintain. This mechanical dumping mechanism allows for constant control over the load.

Carry all your tools and supplies in the tool box.



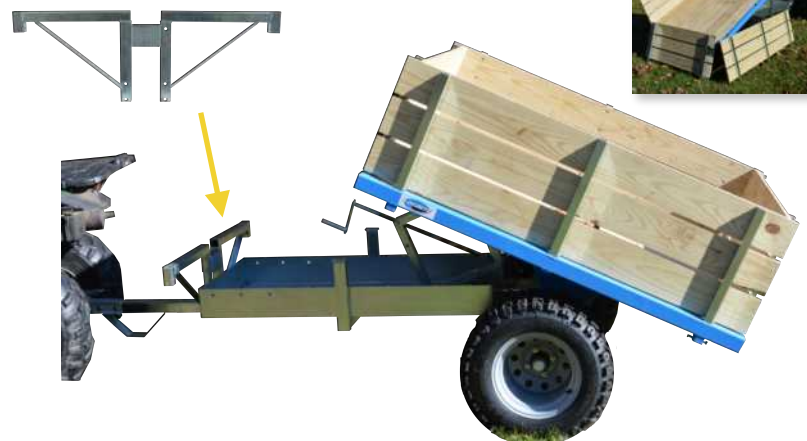
- all steel construction
- powder coat and zinc plating
- torsion flex axle
- scissor lift dump mechanism
- 4 removable sides
- 26 cf of cargo space
- tool box
- headache bracket
- 2" ball coupler
- 23 x 10.5 x 12 Tires
- GVW: 2000 lb



Also available with wood sides and deck.



Headache Bracket mounts just ahead of the tool box and allows you to move the front panel forward. This is great for moving longer objects and protects you and the ATV from cargo that may slide forward.



Not a stock item. This item is available by special order only.

Cant Hooks and Peaveys

LogRite sets the standard for logging hand tools. Our hand tools are designed to meet today's standards of performance. Made of aircraft aluminum and powder coated blue so LogRite's handles are stronger, lighter and easier to see. The hooks are heat treated and zinc plated to last a lifetime.

LogRite cant hooks and peaveys have two advantages. First, the aluminum handle is lighter, stronger and won't break catastrophically like a wooden handle. Second, our unique hook geometry allows the hook to bite effortlessly every time.

Originally, cant hooks and peaveys were designed and used in slightly different ways. Today, both cant hooks and peaveys are used to roll, position and separate logs with relative ease. Choosing the tool for the job really is a matter of preference. The difference between the two is their tips. A cant hook has a bent tip which provides two biting edges that securely grip the log. A peavey has a blunt point great for separating stacked logs.

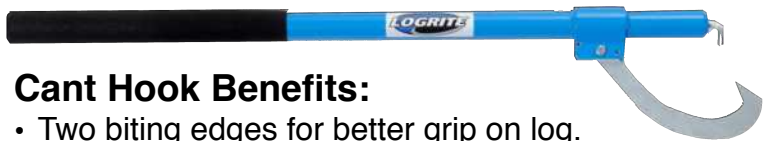
We offer different styles and sizes to meet everyone's needs.

When determining the size tool to buy, you should consider the length of the handle and the diameter of the log you wish to move. Our part numbers tell the style and the length of the handle.

Standard Series (1.75" Diameter Handles)

Our standard series cant hooks and peaveys are great for moving and positioning logs on the ground. Can be used with our Universal Log Stand.

Cant Hook	Peavey	Log Diameter
CH036	PV036	8" - 32"
CH042	PV042	8" - 32"
CH048	PV048	8" - 32"
CH060	PV060	10" - 36"



Cant Hook Benefits:

- Two biting edges for better grip on log.
- Can be used perpendicular and parallel to the log.



Peavey Benefits:

- Point can be used to separate logs.
- Point can be stuck into ground to stand the tool up so it is easy to find.

Universal Log Stand

Add this attachment to your cant hook or peavey to lift logs for cutting. Keeps your log off the ground so that a cut can be made safely through the wood without contacting the ground. Use on any of our 1.75" diameter handles.



Specialty Hooks



Small Series (1.375" Diameter Handles)

These cant hooks are shorter and smaller in diameter. Have a 1.375" diameter handle. Great for working around equipment.

Model	Log Diameter
CH024	8" - 32"
CH030	8" - 32"



Mill Specials (1.375" Diameter Handles)

Designed for sawyers and feature a baseball bat end stop rather than a rubber grip. They're shorter so they don't get in the way.

Model	Log Diameter
MS024	8" - 32"
MS030	8" - 32"
MS036	8" - 32"



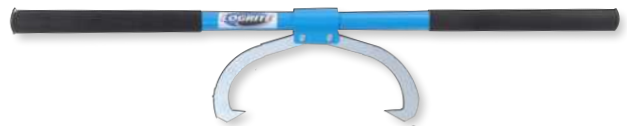
Xtreme Duty (1.75" Diameter Handles)

The yellow color differentiates the Xtreme Duty Tools from our other tools. These handles are still 1.75" diameter but are reinforced for the biggest logs. Can be used with Universal Log Stand.

Model	Log Diameter
XCH060	10" - 36"
XPV060	10" - 36"
MH078*	15" - 45"

*The Megahook offers maximum leverage at 78" long. Also features a larger hook. Only available as a cant hook.

Log Carriers are meant for two people so they have two grips and two hooks. Its 1.75" diameter handle may be rated for 700 lb. but the weight lifted depends on your backs so be careful! The hooks will grip up to a 16" diameter log.



Fiberglass Handles

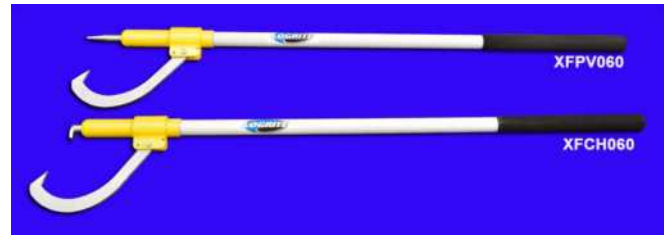
We've taken what we know about moving logs and designed a fiberglass-handled version specifically for linemen. Like our logging tools we offer different sizes and performance levels.

Same as our logging tools, these tools feature:

- Heat treated, zinc plated hooks that bite effortlessly every time.
- Two tip styles: peavey and cant hook.
- Rubber grip for nonslip grip.
- Safety pin to keep hands from being crushed.

Fiberglass-handled tools feature:

- Aluminum collar and head to protect the handle from damage.



STANDARD SERIES

These handles are made with 1.5" diameter fiberglass tube and reinforced with a steel core. Available in 42", 48" and 60" lengths.

Cant Hook	Peavey	Log Diameter
FCH042	FPV042	8" - 32"
FCH048	FPV048	8" - 32"
FCH060	FPV060	10" - 36"

XTREME SERIES

These handles are made with 1.5" diameter solid fiberglass. Available in 42", 48" and 60" lengths.

Cant Hook	Peavey	Log Diameter
XFCH060	XFPV060	10" - 36"

CUSTOMIZATION We offer three hook sizes. We match hook size to different length handles for the perfect leverage to grip ratio, but we understand the diverse needs of our linemen and offer custom pairings of hooks and handles. Please call for more information.

Color of fiberglass may vary.

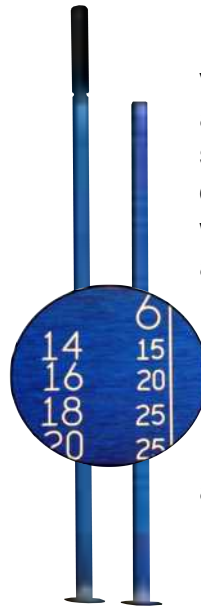
They are NOT designed to protect against electric shock. These are non-rated tools.

Other Hand Tools

Hookaroons are great tools for reaching into or across machines to clear a jam or move cants or small logs. These tools extend your reach and keep your hands out of harm's way. They are also used for quickly moving slabs and firewood. Handle diameter of 1.125". Available in 24", 30", 36" and 48" lengths.



Log Scales Our modern version is anodized aluminum and laser engraved so that our scales can always be read! They can be easily cleaned of pitch with a solvent without worrying about removing the text. We offer four different scales in two different styles: with or without a 6" cushioned rubber gripped handle. Available in *International, Doyle, Scribner and Scribner Decimal C.*



Our **Sawbuck** is sturdy enough to hold 1500 pounds so that even the heaviest logs are easy to cut. The zinc plated steel legs are built to last! Measures 32" high and 28 1/2" wide. With a 31" wide stance it offers super stability.



Folds for easy storage.



The optional wood table top drops into place to convert the sawbuck into a portable workbench.

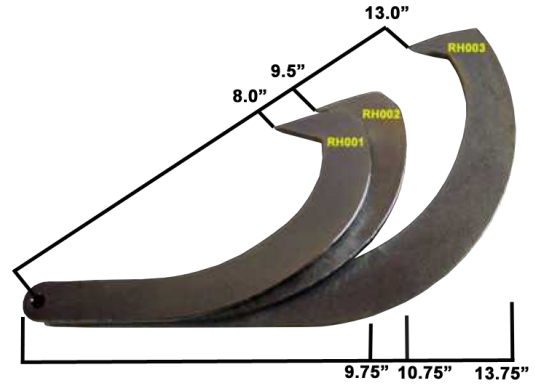
Or you can make your own table top with our brackets.



Replacement Parts

Just in case something should wear out, we have replacements available!

- RH001** Our smallest hook, for all tools 48" or shorter handle
- RH002** Our mid-size hook, for any 60" handle
- RH003** Our largest hook, for the Megahook



- RTH02** Toe Hook for all standard and Xtreme Series cant hooks, 3/4" diameter*
 - RTH01** Toe Hook for all small series and mill special cant hooks, 9/16" diameter*
 - RPV01** Peavey Point for all peavey sizes
 - RHR01** Hookaroon Tip for all sizes
- *older tools may have different tips than stated so it is a good idea to measure*

- RG001** Rubber Grip for all standard and Xtreme duty tools
- RG002** Rubber Grip for all small series tools
- RG003** Rubber Grip for all hookaroons



- RSB0243** Saw Blade, 3 tpi
- RSB0244** Saw Blade, 4 tpi

Often Requested Items



Choker Chain can be used with our arch Chain Adapters.
5/16" x 8' grade 70, w/ c-hook and steel rod
1/4" x 7' grade 70, w/ c-hook and steel rod

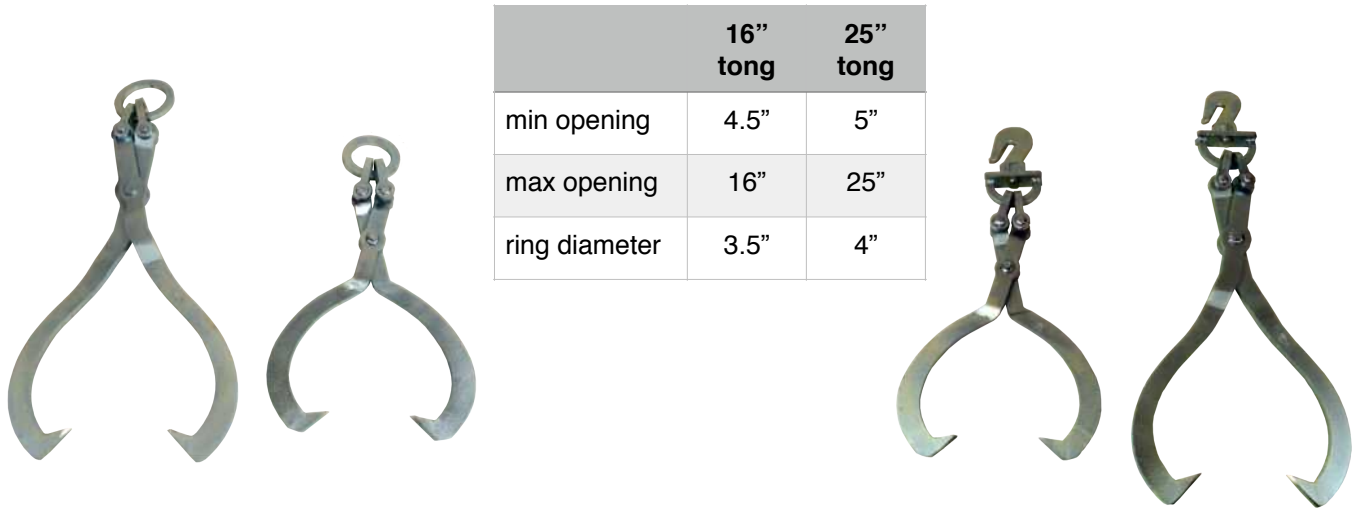


Everyone needs a good pair of **gloves!** Leather driver gloves available in XL, L, M, and W.

Skidding Tongs

LogRite's skidding tongs have the same legendary geometry as our hooks so they grab every time! Skidding tongs are designed to be lowered around the log and when lifted to close and bite into the log. With a secure grip on the log, you can skid or drag that log anywhere.

Built of heat treated and zinc plated steel alloy to grab and hold your logs for skidding. We manufacture 16" and 25" tongs in two styles: ring and swivel.



	16" tong	25" tong
min opening	4.5"	5"
max opening	16"	25"
ring diameter	3.5"	4"

WARNING: THESE ARE NOT FOR OVERHEAD LIFTING

Another LogRite Product



Take on your most challenging projects quickly and safely with Bluecreeper.

Bluecreeper is a synthetic penetrating oil superior to anything else on the market.

Get stuck parts and rusted bolts moving! Let a few drops of Bluecreeper creep into all your stuck parts to loosen rusted and corroded parts.



Be sure to try our degreaser and light machine oil.



See our bare bottoms!

LogRite is proud to manufacture steel furniture legs. We provide the bottoms and you provide the tops. Our DIY legs are built to be sturdy yet showcase and complement the beauty found in the tops.



*Simple, Curvy,
Slender, Sexy,
Graceful, and
Retro Styles of
Table and Bench
Legs*



Alissa 40" table and bar stools



Michelle 28" table



Alissa pedestal table and stools



Alissa bench legs

Our ready to use legs allow you to easily create unique stools, benches, counters and tables. The wide flanges on our legs make it easy to screw your top down in just minutes.

Counters and Bars



Stools



Carts or Islands



See more legs at www.ritelegco.com



Picnic Tables



About LogRite



Kevin Bantle, LogRite's founder, has always had a passion for wood. When corporate downsizing eliminated his engineering position, Kevin took his sawmill on the road. As a sawyer, his frustration with wooden-handled cant hooks led him to build a better handle. His modern-looking cant hook began drawing people's attention. By 2004, his aluminum-handled cant hooks became a local favorite and LogRite was formed.

LogRite became everyone's *Log Moving Solution* in 2006, when we purchased Future Forestry to expand our product line to include log arches. These arches allow our customers to move bigger logs with ease and provide better maneuverability than with simply a cant hook.

We appreciate superior quality products. So in 2011, we purchased Rust Reaper, our favorite penetrant, from a retiring chemist. We renamed it Bluecreeper but continue to keep that same quality product available to you.

In 2014, Kevin was again inspired by his passion for wood and LogRite started The Rite Leg Co. which creates steel furniture legs. Although LogRite's Rite Leg Co. specializes in manufacturing just legs, in his spare time Kevin can be found in our wood shop working and designing unique tables and benches to display in the shop and at trade shows.

Kevin's passion still drives LogRite's endeavors keeping our products reliable, creative, and innovative while setting the standard for log handling tools. He still takes pride that everything is made here in Vernon, CT.



For more information:
www.LOGRITE.com
60 Industrial Park Road
Vernon, CT 06066
800-631-4791